



# Introduction to Sensors for FRC

Mike Anderson  
([robot\\_maker12@verizon.net](mailto:robot_maker12@verizon.net))



Herndon High School  
FRC Team #116

# What We'll Talk About

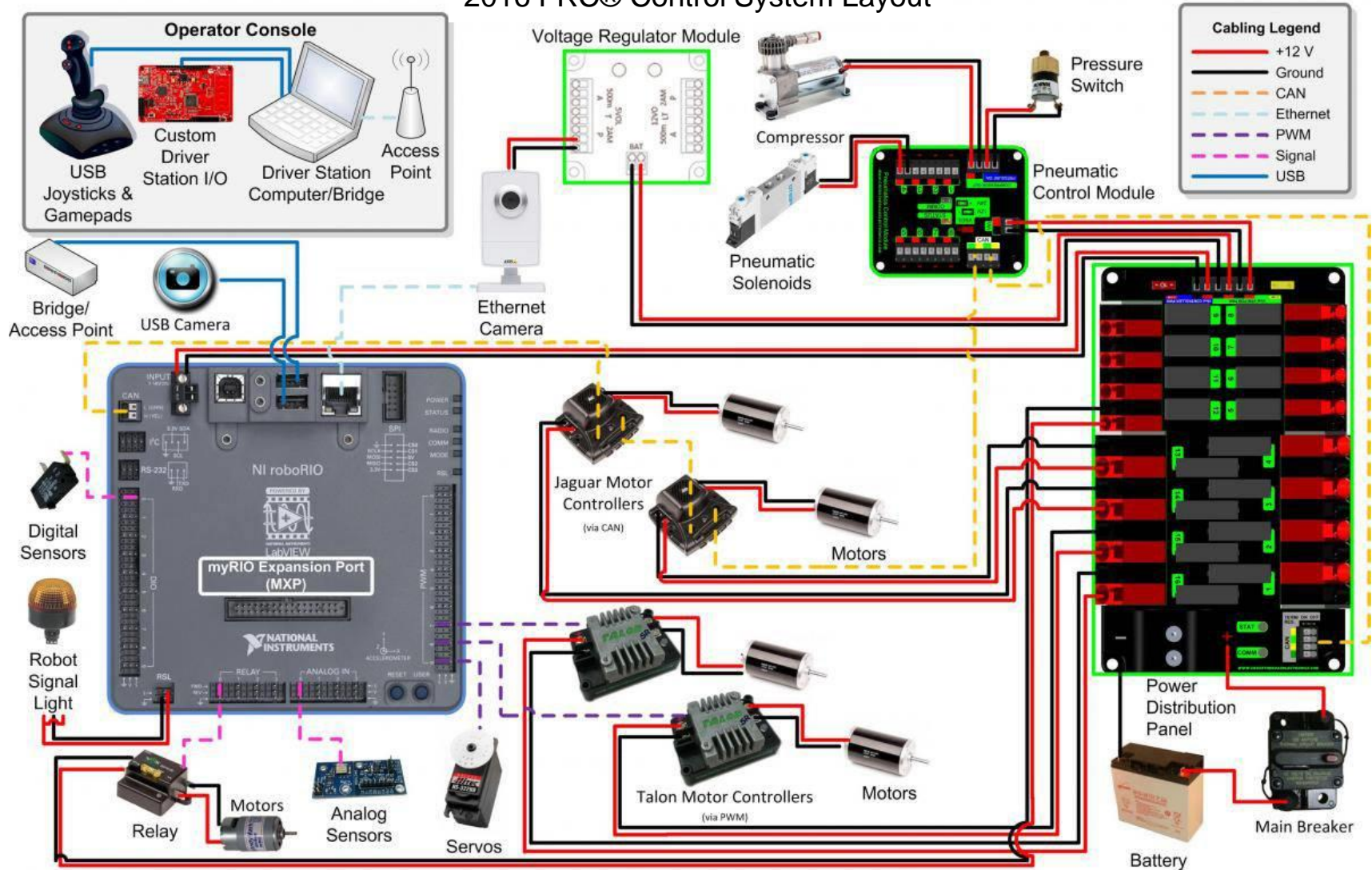
- Goals of this presentation
- Limit sensors
- Position sensors
- Speed sensors
- Distance sensors
- Direction/tilt sensors
- Cameras
- Interfacing to sensors
- Using auxiliary hardware
- Summary

# Goals

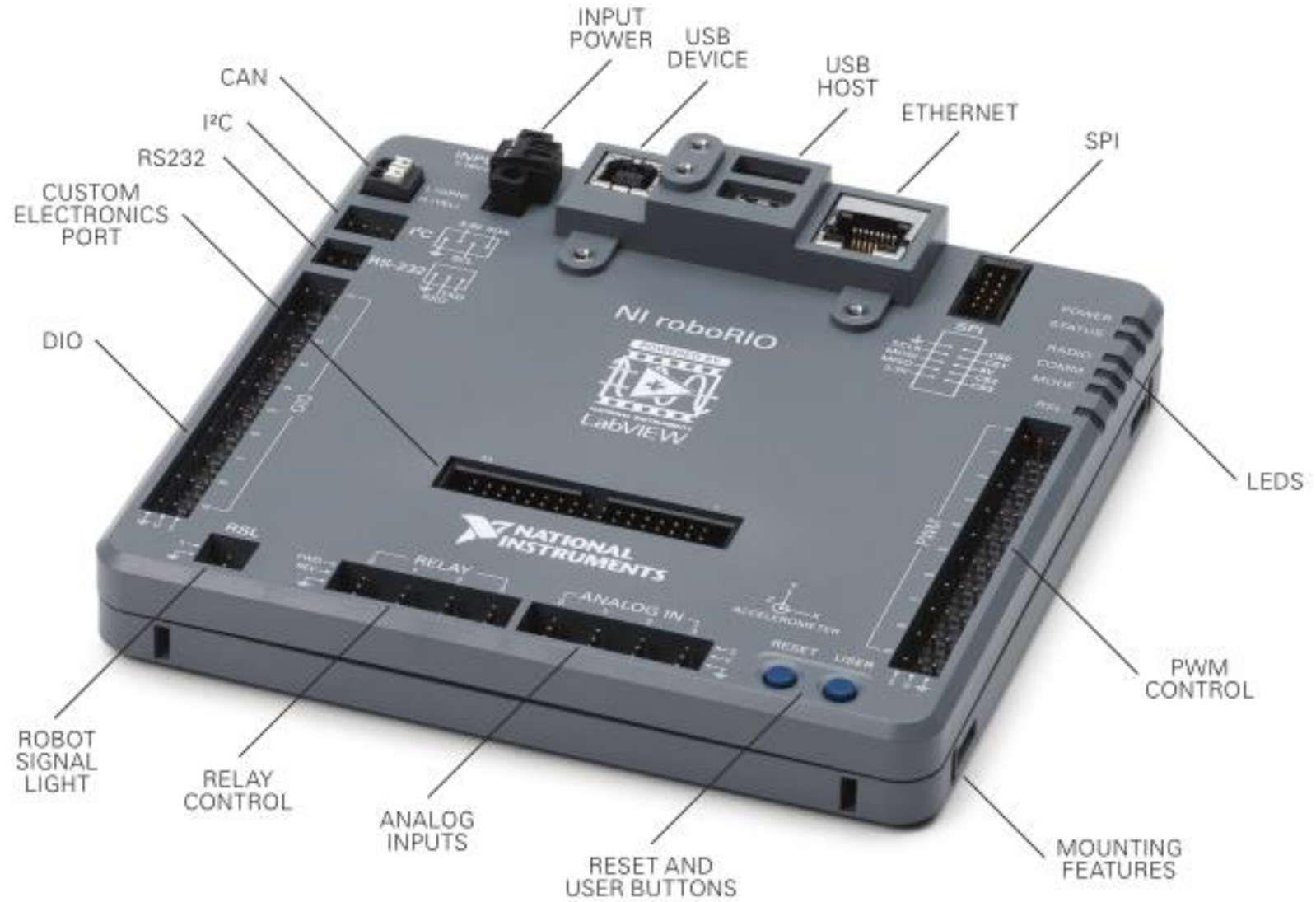
- The goal of this presentation is to acquaint you with the myriad of sensors that you are likely to encounter in building your robot
- We clearly can't explain all of the possibilities due to time constraints
- But, you should leave here with a better understanding of the sensor types and how they're used
- Hopefully, this will enable your team to do some really cool control systems

# The 2017 Control System

2016 FRC® Control System Layout

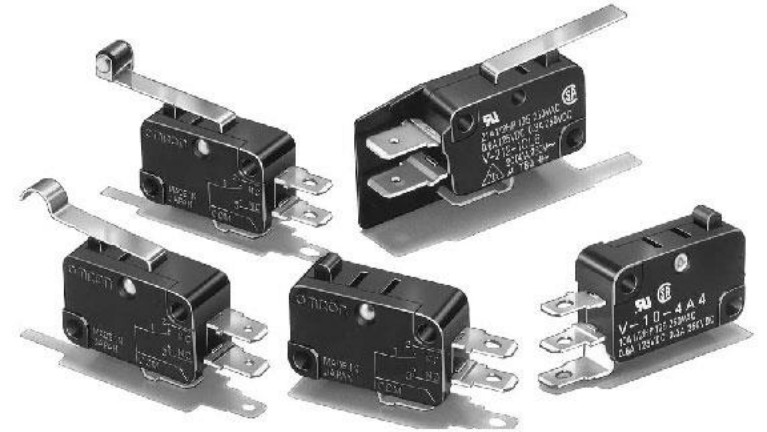


# Annotated RoboRIO



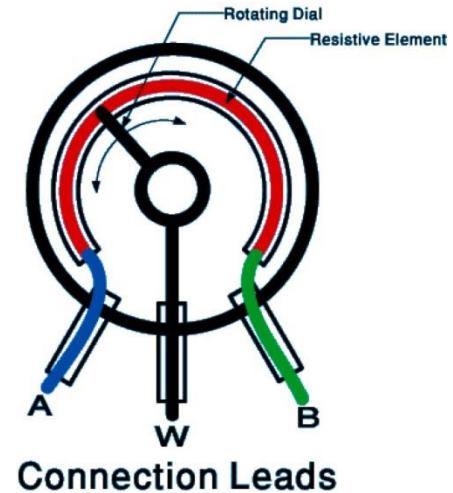
# Limit Sensors

- Probably the easiest of all of the sensors is the limit switch
- Typically implemented as a simple switch attached to actuator that indicates that you've reached some end condition
  - ▶ Switch can be NO or NC depending on your logic in the software
- Generally, these will be attached to one of the DIOs of the RoboRIO
- Modern motor controllers such as the CTRE Talon SRX, the Mind Sensors SD540 or the Rev Robotics Spark have inputs for forward/reverse limit switch connections on the controller itself
  - ▶ Uses a closed-loop control to simplify software
  - ▶ Good as a safety if/when your other sensors fail
  - ▶ We'll look at these in more detail later...



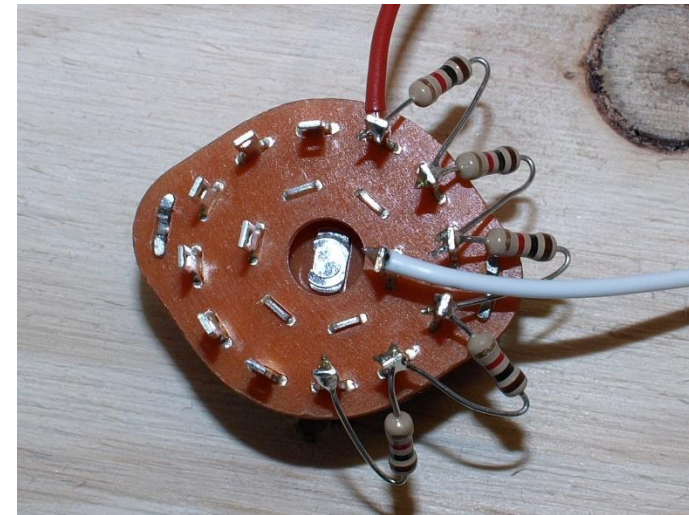
# Position Sensors

- Position sensors often take the form of a potentiometer attached to a linkage
- Potentiometers are generally an analog sensor
  - ▶ The means you'll connect it to the analog inputs on the RoboRIO
- Usually, a potentiometer has 3 wires
  - ▶ VCC, GND and a signal return
- The analog input of the RoboRIO has a 12-bit resolution
  - ▶ 0-4096 range and you can use the value to calculate an approximate position in space based on the measured return voltage



# Play Selection Switches

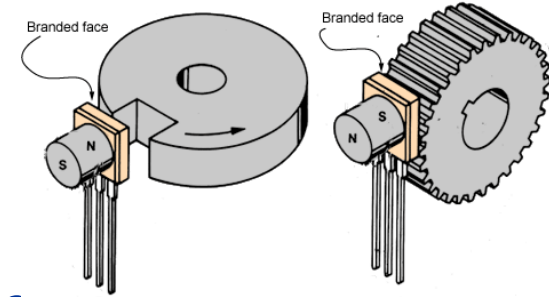
- Often in autonomous mode we will need to select different plays based on our alliance partner's capabilities
  - ▶ Can use a series of digital inputs and toggle switches but this eats up DIOs
- Often this is accomplished using rotary switches with resistor ladders
  - ▶ Use the analog input to measure which switch position is selected





# Position/Speed Sensors

- Hall-effect sensors use metal moving through a magnetic field (induction) to indicate motion
  - ▶ Can also be used as a limit switch
- Can be used to count rotations or calculate position based on the number of gear teeth that have passed the sensor
- Can also be used as a tachometer
- Would typically be attached to a DIO on the RoboRIO
  - ▶ However, speed of rotation with the sensor may put a significant load on the RoboRIO
- Best to attach it to one of the DIOs and designate the DIO as a counter
  - ▶ Uses the FPGA in the RoboRIO to reduce the compute load



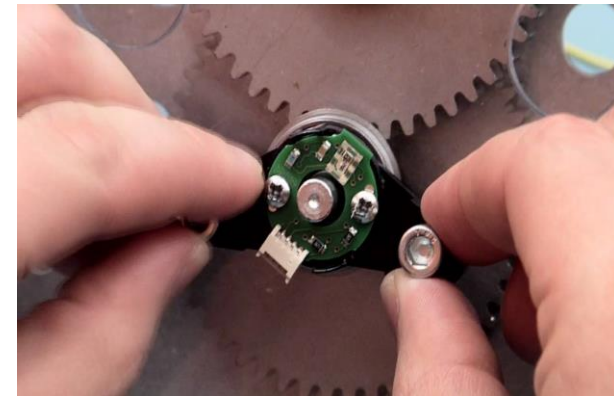
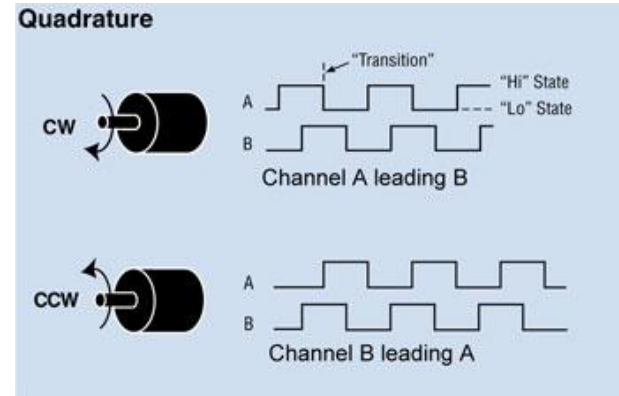
# Position/Speed Sensors #2

- Another position encoder is a rotary encoder
- These encoders will have a number of pulses per revolution
  - ▶ Given the diameter of the attach point, you can determine how far the system has moved based on the number of pulses
  - ▶ Can also be used as a tachometer
- Make sure you purchase the encoder rated for the speed you're trying to measure
- Like the Hall-effect sensor, high PPR can burden the RoboRIO
  - ▶ Hook up to a DIO and declare the DIO a counter



# Position/Speed Sensors #3

- The last of the position sensors we'll talk about is the quadrature encoder
- These are similar to the rotary encoder except that you can determine forward vs. reverse motion
  - ▶ Also have a PPR rating that you need to know when declaring a quadrature encoder instance in WPILib or LabView
- Usually a “quad shaft encoder” is attached to the axle of a wheel
  - ▶ Many gear boxes have specific mounting points for quadrature encoders
- Given the diameter of the wheel, you know how far it's moved based on the number of pulses
- Also attached to a DIO input of the RoboRIO
  - ▶ 2x DIOs per encoder



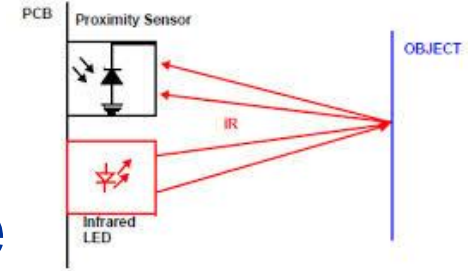
# New Position Sensor

- CTRE has a new magnetic rotary encoder that plugs into the Talon SRX
  - ▶ Supports closed loop operation with the Talon SRX
- Can be used for absolute or relative position sensing as well as velocity
- The encoder senses the magnetic field of a diametrically polarized magnet to determine rotational position with 12-bit accuracy
- Provides Quadrature interface that can be used for relative positioning and a PWM output for absolute position measurement

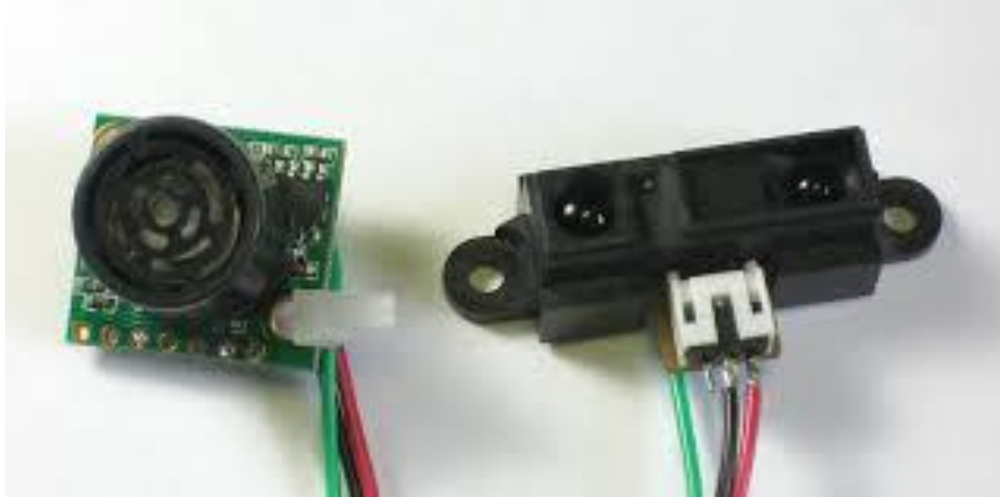


# Distance Sensors

- Distance sensors typically all work in the same general way
- A pulse goes out and you measure amount of time it takes to return
  - ▶ Then you apply a formula to convert time into distance
- Common distance sensors use either infrared or ultrasonic modalities
- Beware, not all distance sensors are created equal
  - ▶ Some can range 30' others only a few inches



# Example Distance Sensors



Ultrasonic

Infrared



LASER-Based  
on servo



Ultrasonic

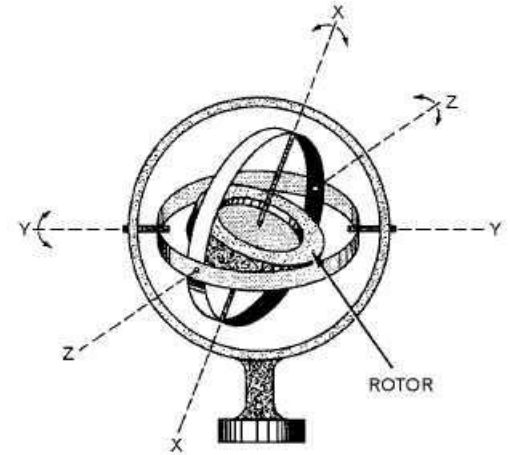
# LASER Range Finders

- This unit uses a LASER to measure distance
- FIRST restricts the power and type of LASERs on the robot
  - ▶ Must be Class 1 LASER, typically in the near IR spectrum
    - It's invisible to the human eye, but your cell phone camera can see it
- The “LIDAR” from SparkFun is 5V and has a range of 35-40m
  - ▶ Programmable with I2C or PWM
- Very accurate and very fast distance acquisition
- Active CD discussion on this sensor right now



# Direction Sensors

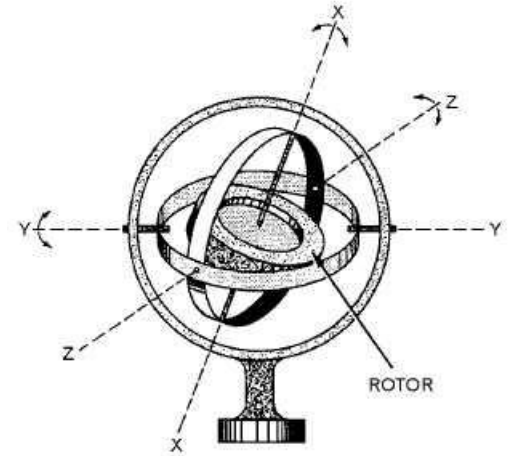
- In order to determine the direction of your robot, there are a number of possibilities
- Gyroscopes
  - ▶ Measure the *rate* of turn
  - ▶ WPILib has integrated functions to determine the angle of the robot relative to the starting direction using the gyro class
- However, gyroscopes are subject to drift and can be off by quite a bit in the face of multiple hard hits by other robots
  - ▶ Use the accelerometer to know that you've had collisions





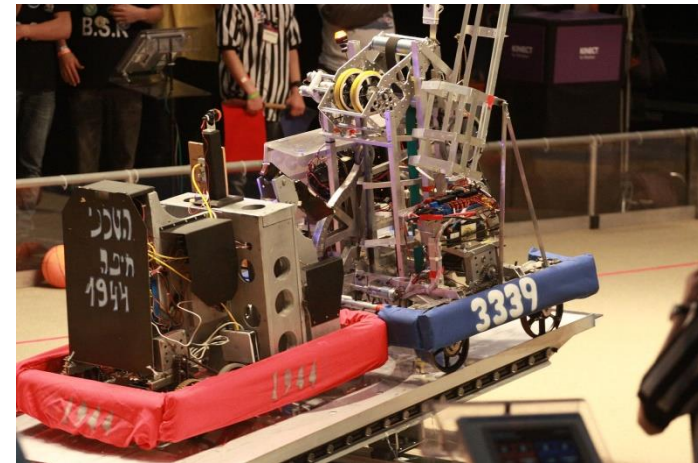
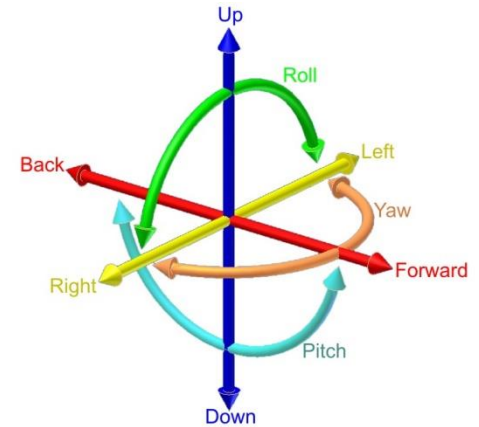
# Direction Sensors (2)

- Another means to determine heading is via a Magnetometer (digital compass)
  - ▶ You can read an absolute measurement of direction relative to magnetic north but they are subject to interference from large magnetic fields (like motors)
- Gyros and magnetometers are typically implemented as solid-state MEMS sensors



# Measuring Acceleration

- There is another sensor known as an accelerometer that measures acceleration or vibrations in terms of “G”s
  - ▶ Normal gravity at sea level is defined to be 1G
- Can be used to detect tilt like in the 2012 Rebound Rumble game
- Can also be used to detect impacts and make adjustments to the gyro to correct for drift
- There is a 3-axis accelerometer in the RoboRIO



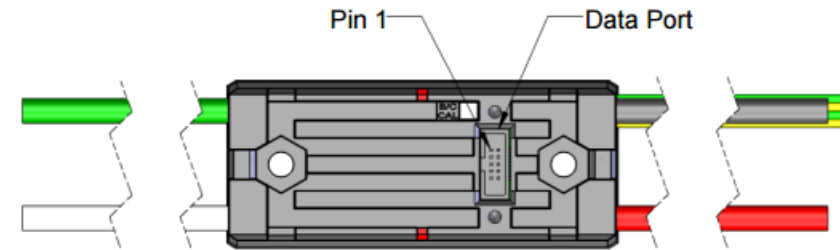
# Inertial Measurement Units (IMU)

- If we combine the gyro, accelerometer and magnetometer sensors together, we can create an Inertial Measurement Unit (IMU)
- This allows you to know where your robot is in the physical world and allows for precise navigation
  - ▶ Used frequently in drones
- E.g., the NavX-MXP unit from Kauai Labs for the RoboRIO MXP connector
- With an IMU, it's relatively easy to maintain a heading even when getting hit by other robots



# Sensors on the Motor Controllers

- The new motor controllers for 2017 all have inputs for limit switches
  - ▶ Can be used to set a range of motion
- However, the Talon SRX has additional capabilities for closed loop operations
  - ▶ Quadrature encoder
    - Position sensing
  - ▶ Current sensing
  - ▶ Speed sensing
  - ▶ Limiting range of motion using a potentiometer on the analog input
  - ▶ Controlled via CAN bus



+3.3V	1	●	●	2	+5V
Analog Input	3	●	●	4	Forward Limit
Quadrature B	5	●	●	6	X DO NOT CONNECT
Quadrature A	7	●	●	8	Reverse Limit
Quadrature Index X	9	●	●	10	GND

Data Port Pinout

“Gadgeteer Port”

# Pigeon IMU

- New for the 2017 season is the Pigeon IMU from CTRE
- 9 DoF IMU with several different interfaces including UART and the Gadgeteer port on the Talon SRX
- This allows the Pidgeon to be seen as a CAN bus device by the RoboRIO
- CTRE has examples of code for FRC on their github repository



# Current Sensing

- The CAN bus interface on the RoboRIO can talk to the Power Distribution Panel
  - ▶ Gives you the ability to measure current draw from any of the power slots
- Useful for locating bad motors or flaky gear boxes via monitoring for excessive current draw

# Pressure Sensor

- The Pneumatics Control Module has a built-in interface for the pressure switch used with the pneumatics sub-system on the high-pressure side
  - ▶ Automatic cut-off of compressor when to a certain value
- REV Robotics has introduced an analog pressure sensor for measuring the current pressure in the tanks
  - ▶ Useful for seeing if you have enough pressure for the task



# Interfacing with Sensors

- WPILib has a collection of interface support
  - ▶ Serial, I2C, SPI, DIO, analog input to name a few
- When selecting a sensor, make sure you know what sort of interface it has and compare that to the number you currently have available on the RoboRIO
  - ▶ You may have to add aux interfaces to the robot via the MXP connector
- Make sure that you allow for power and ground return in addition to the sensor wires themselves
  - ▶ Mount in a safe place and make sure you don't use the robot chassis for ground
- Verify what kind of power the sensor needs before attaching to the RoboRIO
  - ▶ 3.3V, 5V, etc.



# Cameras

- The final sensor we'll talk about is the camera
- The camera can be set to filter based on certain colors
  - ▶ Retroreflective tape and a colored LED allows you to do target detection
    - Your image processing can do automatic targeting
- The use of dual cameras will allow you to do distance estimation
  - ▶ However, because of the known size of the field and the game elements, you can also do estimation with a single camera
- The OpenCV libraries in the RoboRIO allow you to do significant image processing on the robot



# Auxiliary Processors

- If you find that the RoboRIO doesn't provide enough sensor inputs you can also augment it with Arduinos, RaspberryPi, Beaglebone Black and more
  - ▶ Useful for interfaces to switch settings for initial plays in autonomous mode or for more IO if you need it
  - ▶ Can also be used for high-interrupt measurement like tachometers



# Summary

- In this session, we have only touched on a small number of the variety of sensors that can be used on the robot
- Any sensor with RS-232, I2C or SPI interfaces is also possible including barometric pressure, heat, gas sensors and more
- Your imagination is your largest limiting factor
  - ▶ The RoboRIO has connectivity for almost any option or it can be augmented with aux processors if needed